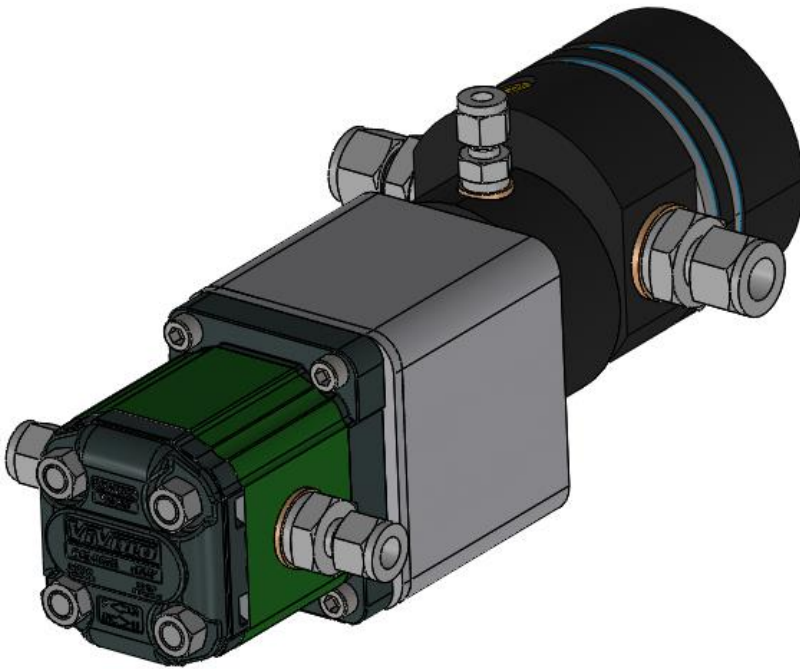


Macduff Robotics

Intelligent Subsea Equipment



Description:

A hydraulic pump/motor combination specifically sized to give a very low flowrate in order to give precise dosing rates for adding additives to a second media, often corrosion inhibitor to seawater. Pump is of full stainless steel construction.

Subsea Hydraulic Gear Dosing Pump

MAIN FEATURES

- Hydraulically driven
- Full chemical/hydraulic isolation
- Upto 210bar injection pressure
- Easy to maintain

Further Information

Advanced spares kits also available

Equipment supplied

Standard tool supply includes

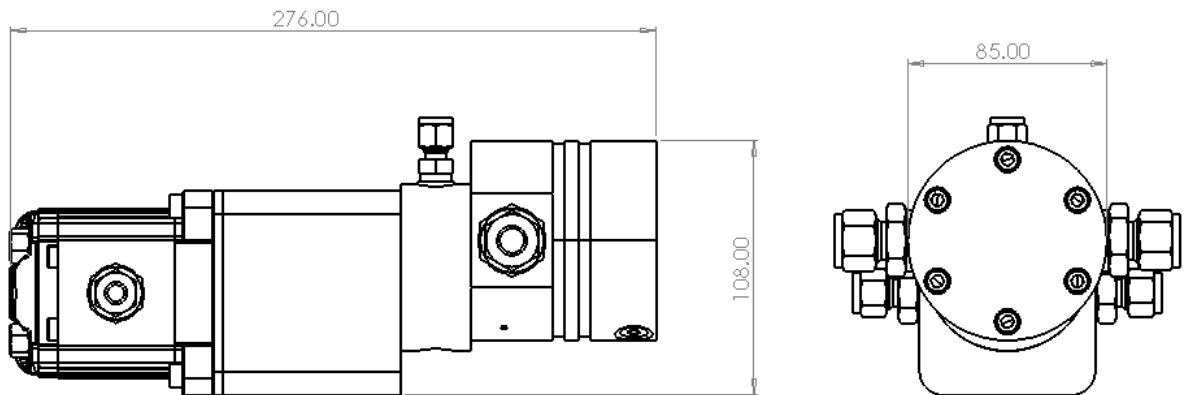
- Pump Unit
- Operating Manual
- Basic Spares



info@macduff-robotics.com

Specifications

Weight in Air TBC
Weight in sea water TBC



Optional additions

- Various hose connection types available

Information contained in this data sheet is up-to-date and correct as at the date of issue. All product designs, specifications and data are subject to change without notice to improve reliability, function, design or otherwise. No express or implied warranties are given.